

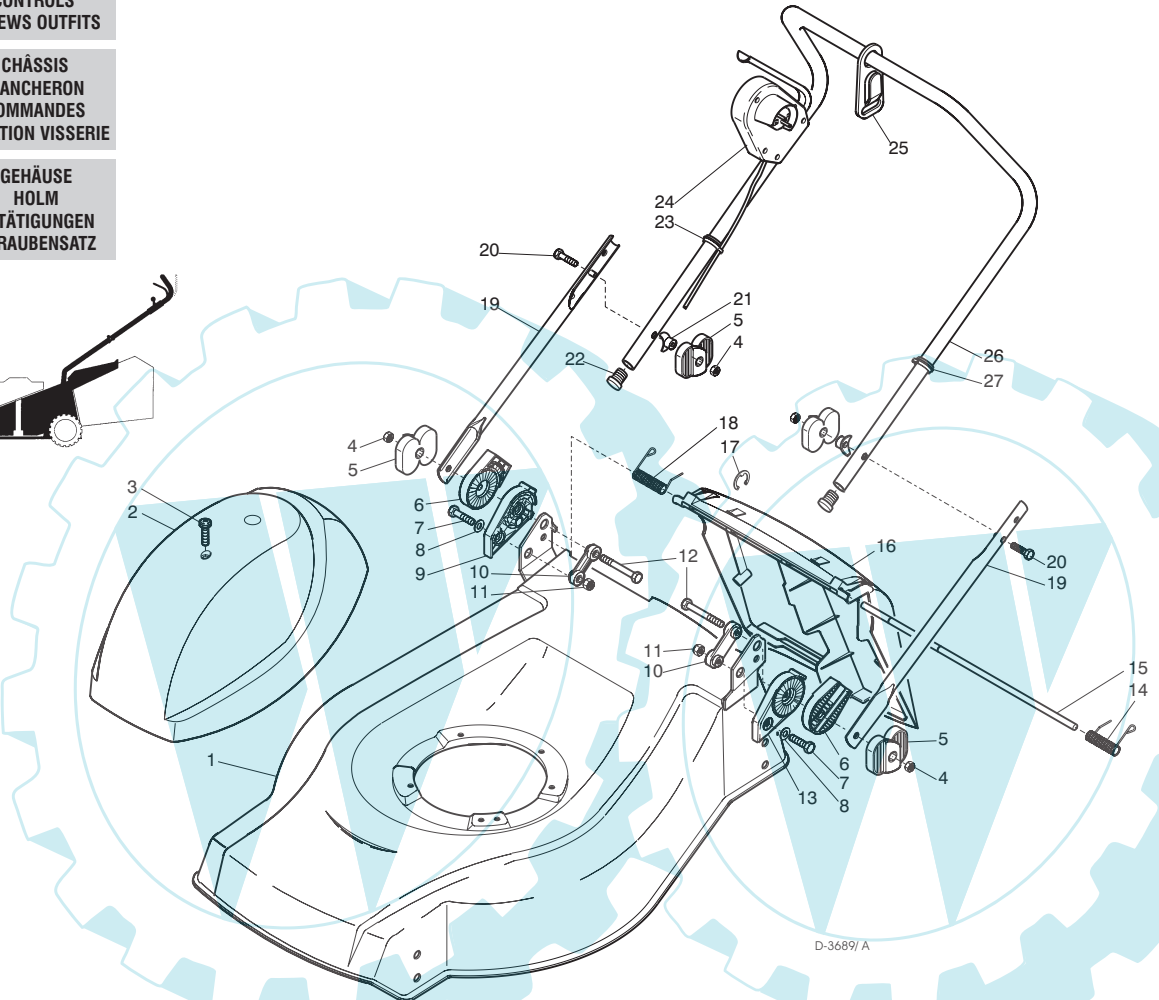
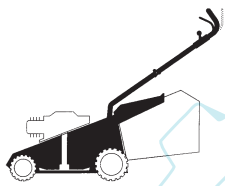
CA 480

CHASSIS
MANICO
COMANDI
DOTAZIONE VITERIE

DECK
HANDLE
CONTROLS
SCREWS OUTFITS

CHÂSSIS
MANCHERON
COMMANDES
DOTATION VISSERIE

GEHÄUSE
HOLM
BETÄTIGUNGEN
SCRAUBENSATZ



SPARE PARTS CATALOGUE

GB D

CATALOGO DELLE PARTI
DI RICAMBIO

I F

ERSATZTEILKATALOG

CATALOGUE DES PIÈCES
DE RECHANGE

T-3689/ A

Pos. Nr.	Code Code Kodex	Q.tà Q.ty-Q.tè Menge	Descrizione	Description	Description	Beschreibung
1			CHASSIS	DECK	CHÂSSIS	GEHÄUSE
—	81001800/ 0	1	ROSSO	RED	ROUGE	ROTES
—	81001801/ 0	1	GIALLO	YELLOW	JAUNE	GELBES
—	81001802/ 0	1	VERDE	GREEN	VERT	GRÜNES
—	81001852/ 0	1	ARANCIONE	ORANGE	GRIS	GRAU
2	22035058/ 0	1	CAPOTTINA	COVER	CAPOT	HAUBE
3	12728680/ 0	2	VITE	SCREW	VIS	SCHRAUBE
4	12293202/ 0	4	DADO	NUT	ECROU	MUTTER
5	22399803/ 0	4	MANOPOLINA	KNOB	POIGNÉE	GRIFF
6	22785081/ 0	2	SUPPORTO ESTERNO	EXTERNAL SUPPORT	SUPPORT EXTERNE	AUßERE HALTERUNG
7	12793701/ 0	2	VITE	SCREW	VIS	SCHRAUBE
8	12521350/ 0	2	RONDELLA	WASHER	RONDELLE	SCHIBE
9	22785082/ 0	1	SUPPORTO INTERNO DX	R. INTERNAL SUPPORT	SUPPORT INTERNE DROIT	INNERE HALTERUNG RECHTS
10	22551575/ 0	2	PIASTRINA INTERNA	INSIDE PLAQUE	PLAQUETTE INTERNE	INNERE PLATTE
11	12155000/ 0	2	DADO	NUT	ECROU	MUTTER
12	12691810/ 0	2	MANOPOLINA	KNOB	POIGNÉE	GRIFF
13	22785083/ 1	1	SUPPORTO INTERNO SX	L. INTERNAL SUPPORT	SUPPORT INTERNE GAUCHE	INNERE HALTERUNG LINKS
14	22450420/ 1	1	MOLLA SX	LEFT SPRING	RESSORT GAUCHE	LINKE FEDER
15	22517906/ 1	1	PERNO	PIN	PIVOT	BOLZEN
16	22600063/ 0	1	PARASASSI	STONE-GUARD	PARE-PIERRES	PRALLBLECH
17	12000930/ 0	1	ANELLO ELASTICO	SNAP RING	ANNEAU RESSORT	SPRENGRING
18	22450410/ 1	1	MOLLA DX	RIGHT-SPRING	RESSORT DROITE	RECHTE FEDER
19	81006975/ 0	2	PARTE INF. MANICO	LOWER HANDLE	PARTIE INF. MANCHERON	UNTERHOLM
20	12819125/ 0	2	VITE	SCREW	VIS	SCHRAUBE

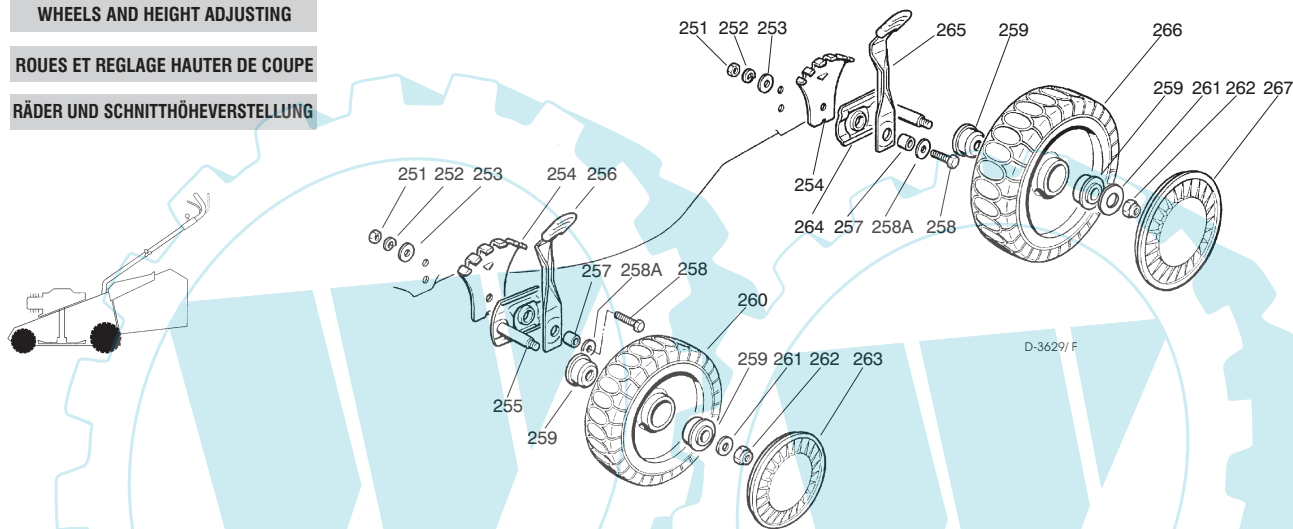
Pos. Nr.	Codice Code Kodex	Q.tà Q.ty-Q.tè Menge	Descrizione	Description	Description	Beschreibung
21	22680006/ 1	2	RONDELLA	WASHER	RONDELLE	SCHEIBE
22	18566112/ 0	2	PUNTALE	IN TINE	À L'HEURE	PÜNTALICH
23	22192000/ 1	1	FASCETTA ANCORAGGIO	ANCHOR CLAMP	COLLIERE ANCRAGE	BOWDENZUGHALTER
24	18710604/ 0	1	SALVAMOTORE M.M.	DEAD HAND SWITCH	INT. MAIN MORTE	TOT MANDCHALTER
—	18710572/ 0	1	10 A 602 MS (1600W IBMEI/ RST)	10 A 602 MS (1600W IBMEI/ RST)	10 A 602 MS (1600W IBMEI/ RST)	10 A 602 MS (1600W IBMEI/ RST)
—	18710572/ 0	1	10 A 603 MS (1600W IBMEI/ RST)	10 A 603 MS (1600W IBMEI/ RST)	10 A 603 MS (1600W IBMEI/ RST)	10 A 603 MS (1600W IBMEI/ RST)
—			SOLO PER SVIZZERA	ONLY FOR SWITZERLAND	SEUL POUR LA SUISSE	NUR FÜR SCHWEIZ
25	22195101/ 1	1	FERMACAVO	FAIR LEAD	FIXATION CABLE	KABELBEFESTIGUNG
26	81007037/ 0	1	PORTE SUP. MANICO	UPPER HANDLE	PARTIE SUP. MANCHERON	OBERHOLM
27	22192151/ 0	1	FERMACAVO	FAIR LEAD	FIXATION CABLE	KABELBEFESTIGUNG
—	81008632/ 0		DOTAZ. VITERIA	SCREWS OUTFIT	DOTATION VISSERIE	SCHRAUBEN SATZ

RUOTE E REGOLAZIONE

WHEELS AND HEIGHT ADJUSTING

ROUES ET REGLAGE HAUTER DE COUPE

RÄDER UND SCHNITTHÖHEVERSTELLUNG



T-3689/ F

251	12293200/ 0	4	DADO	NUT	ECROU	MUTTER
252	12583500/ 0	4	GROWER	GROWER	GROWER	FEDERRING
253	12523070/ 0	4	RONDELLA	WASHER	RONDELLE	SCHEIBE
254	22735547/ 0	4	SETTORE REGOLAZIONE	ADJUSTMENT SECTOR	SECTEUR REGLAGE	VERSTELLUNGSEKTOR
255	81005082/ 0	2	SUPPORTO RUOTA	WHEEL SUPPORT	SUPPORT ROUE	RADHALTER
256	81003285/ 1	2	LEVA REGOLAZIONE	ADJUSTMENT LEVER	LEVIER REGLAGE	VERSTELLUNGHEBEL
257	22171001/ 0	4	DISTANZIALE	SPACER	ENTRETOISE	DISTANZRING
258	12793701/ 0	4	VITE	SCREW	VIS	SCHRAUDE
258A	12521350/ 0	4	RONDELLA	WASHER	RONDELLE	SCHEIBE
259	22034508/ 0	8	BOCCOLA	BUSH	DOUILLE	BUCHSE
260	81007317/ 0	2	RUOTA SCOLPITA Ø 170	KNOBBLY WHEEL Ø 170	ROUE SCULPTEE Ø 170	RAD M. STOLLENPR. Ø 170
261	12523060/ 0	4	RONDELLA	WASHER	RONDELLE	SCHEIBE
262	12155000/ 0	4	DADO	NUT	ECROU	MUTTER
263	12155000/ 0	4	COPRIMOZZO	HUB CAP	COUVRE-MOYEU	RADKAPPE
—	22110282/ 0	2	BIANCO	WHITE	BLANC	WEIßE
—	22110288/ 0	2	GIALLO	YELLOW	JAUNE	GELB
—	22110290/ 0	2	ROSSO	RED	ROUGE	ROTE
—	22110300/ 0	2	GRIGIO	GREY	GRIS	GRAU
264	81005084/ 0	2	SUPPORTO RUOTA	WHEEL SUPPORT	SUPPORT ROUE	RADHALTER
265	81003286/ 0	2	LEVA REGOLAZIONE	ADJUSTMENT LEVER	LEVIER REGLAGE	VERSTELLUNGHEBEL
266	81007318/ 1	2	RUOTA SCOLPITA Ø 210	KNOBBLY WHEEL Ø 210	ROUE SCULPTEE Ø 210	RAD M. STOLLENPR. Ø 210
267	12155000/ 0	4	COPRIMOZZO	HUB CAP	COUVRE-MOYEU	RADKAPPE
—	22110281/ 0	2	BIANCO	WHITE	BLANC	WEIßE
—	22110287/ 0	2	GIALLO	YELLOW	JAUNE	GELB
—	22110289/ 0	2	ROSSO	RED	ROUGE	ROTE
—	22110301/ 0	2	GRIGIO	GREY	GRIS	GRAU

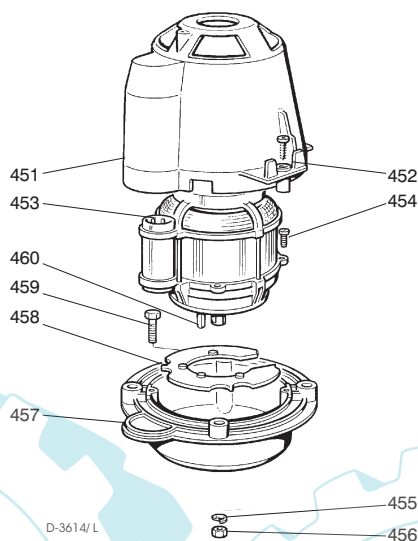
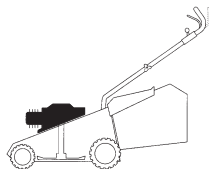
Pos. Nr.	Codice Code Kodex	Q.tà Q.ty-Q.tè Menge	Descrizione	Description	Description	Beschreibung
----------	-------------------	----------------------	-------------	-------------	-------------	--------------

GRUPPO MOTORE ELETTRICO

MOTOR ASS.Y

MOTEUR ELECTRIQUE

ELEKTROMOTOR



T-3614/L

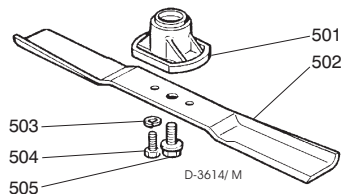
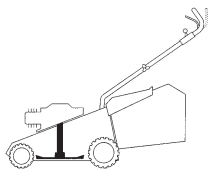
451	22785061/ 0	1	SUPPORTO CAPOTTINA	COVER SUPPORT	SUPPORT CAPOT	HAUBEHALTER
452	12728710/ 0	4	VITE	SCREW	VIS	SCHRAUBE
453	18563009/ 0	1	MOTORE	MOTOR	MOTEUR	MOTOR
—	18563061/ 2	1	IBMEI 1600W (230V)	IBMEI 1600W (230V)	IBMEI 1600W (230V)	IBMEI 1600W (230V)
—	18563009/ 0	1	RST 1600W (230V)	RST 1600W (230V)	RST 1600W (230V)	RST 1600W (230V)
—	18563047/ 2	1	IBMEI 1600W (240V)	IBMEI 1600W (240V)	IBMEI 1600W (240V)	IBMEI 1600W (240V)
(453A)	18740049/ 0	1	VENTOLA	FAN	VENTILATEUR	LÜFTER
—	18740051/ 0	1	PER MOTORE IBMEI	IBMEI MOTOR	MOTEUR IBMEI	IBMEI MOTOR
—	18740051/ 0	1	PER MOTORE RST	RST MOTOR	MOTEUR RST	RST MOTOR
(453B)	18222038/ 0	1	CONDENSATORE 20 µF	CONDENSER 20 µF	CONDENSEUR 20 µF	KONDENSATOR 20 µF
454	12735410/ 0	4	VITE	SCREW	VIS	SCHRAUBE
455	12583500/ 0	4	GROWER	GROWER	GROWER	FEDERRING
456	12293200/ 0	4	DADO	NUT	ECROU	MUTTER
457	22207211/ 3	1	FLANGIA	FLANGE	BRIDE	FLANSCH
458	22720360/ 1	1	SCHERMO VENTILAZIONE	VENTILATION SCREEN	ECRAN VENTILATION	LÜFTUNGSSCHIRM
459	12793700/ 0	4	VITE	SCREW	VIS	SCHRAUBE
460	12139440/ 0	1	LINGUETTA	FEATHER	CLAVETTE	KEIL

GRUPPO COLTELLO

BLADE ASS.Y

GROUPE LAME

MESSERSATZ

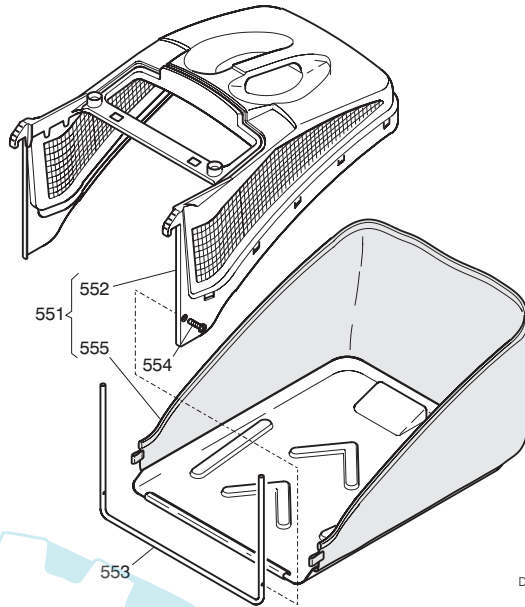
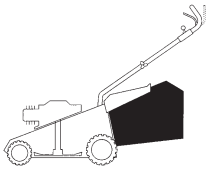


T-3689/M

501	22463186/ 2	1	MOZZO	HUB	MOYEU	NABE
502	81004346/ 2	1	COLTELLO STANDARD 46 cm.	STANDARD BLADE 46 cm.	LAME STANDARD 46 cm.	STANDARD MESSER 46 cm.
—	81004397/ 0	1	COLTELLO ALETTATO 46 cm.	WINGED BLADE 46 cm.	LAME AILETTÉE 46 cm.	FLÜGELMESSER 46 cm.
503	12583500/ 0	2	GROWER	GROWER	GROWER	FEDERRING
504	12793101/ 0	2	VITE	SCREW	VIS	SCHRAUBE
505	81004352/ 0	1	VITE	SCREW	VIS	SCHRAUBE

Pos. Nr.	Codice Code Kodex	Q.tà Q.ty-Q.tè Menge	Descrizione	Description	Description	Beschreibung
----------	-------------------	----------------------	-------------	-------------	-------------	--------------

- SACCO RACCOGLIERBA**
- GRASS-CATCHER**
- BAC DE RAMASSAGE**
- GRASFANGKORB**



T-3689/N	551	91000010/0	1	SACCO COMPLETO	COMPLETE GRASS-BOX	SAC COMPLET	KOMPLETTER KORB
	552	22486086/0	1	PARTE SUP. SACCO	UPPER GRASS BOX	PARTIE SUP. SAC	OBERKORB
	553	22608523/1	1	RINFORZO INF.	DOLON REINFORCEMENT	RÉNFORCEMENT INFÉRIEUR	UNTER STÜTZ
	554	12728445/0	1	VITE	SCREW	VIS	SCHRAUBE
	555	81002180/0	1	TELA SACCO	FABRIC BOX	TOILE POUR SAC	TUCK FÜR SACK